

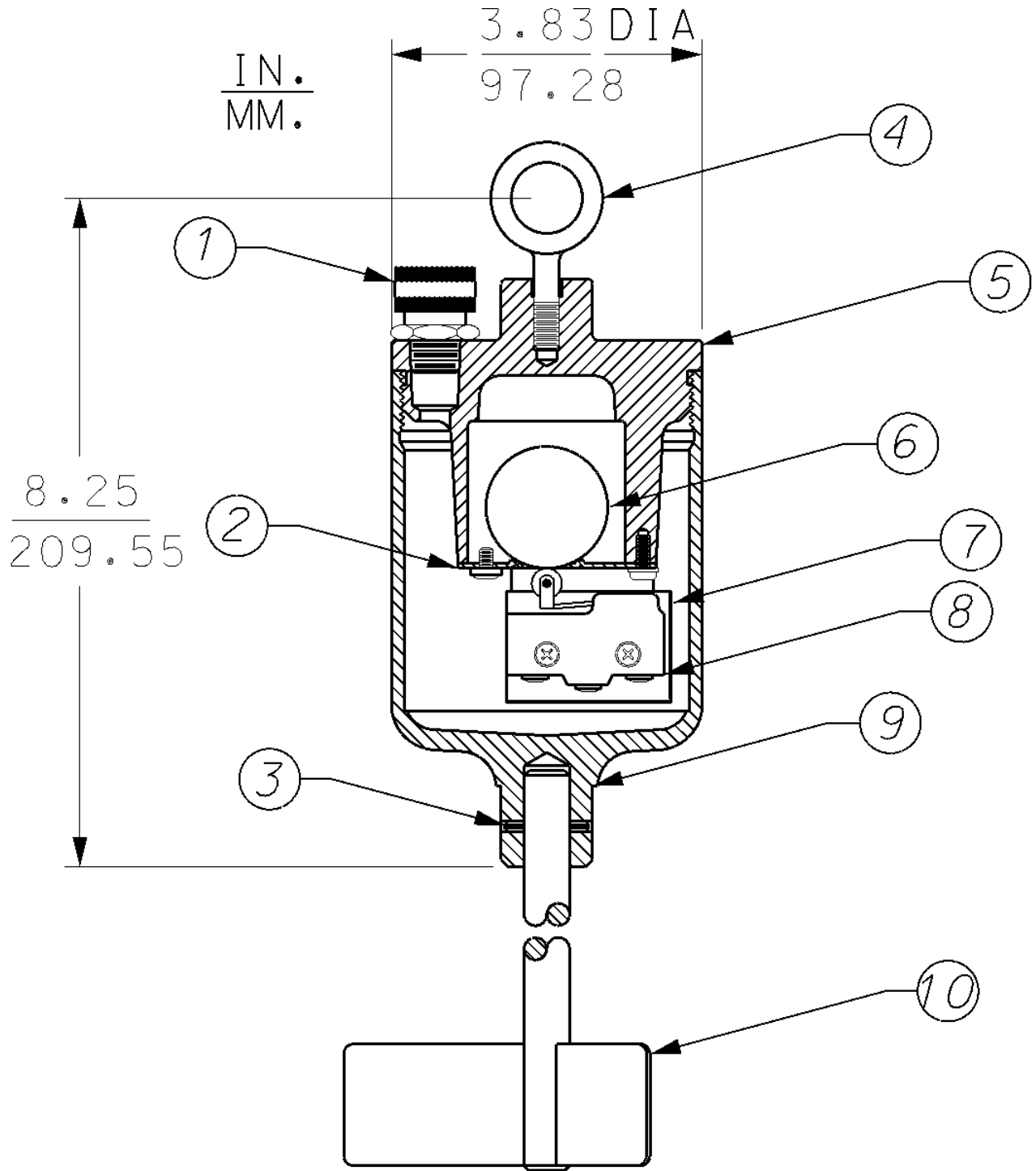
BINMASTER

Taking Control . . . To A Higher Level

BM – T TILT SWITCH

<u>ITEM</u>	<u>PART NO.</u>	<u>DESCRIPTION</u>
1	338-0035	Strain Relief .375 – inch
2	416-0107	Plated Switch Bracket Assembly
3	150-5009	Roll Pin
4	135-9003	Eyebolt
5	212-0010	Enclosure Cap
6	200-9008	Chrome Steel Ball
7	338-0033	Switch Insulator
8	375-0033	Micro Switch
9	220-0066	Cast Aluminum Enclosure
<u>OPTIONAL</u>		
10	TS – P	Tilt Switch Paddle
	TS – S	Tilt Switch Sphere

Unit Illustration with Item Key Appears on Back



BINMASTER

Division of Garner Industries
 7201 No. 98th Street P. O. Box 29709
 Lincoln, NE 68507 Lincoln, NE 68529
 (402) 434-9102 Fax (402) 434-9133
 www.binmaster.com