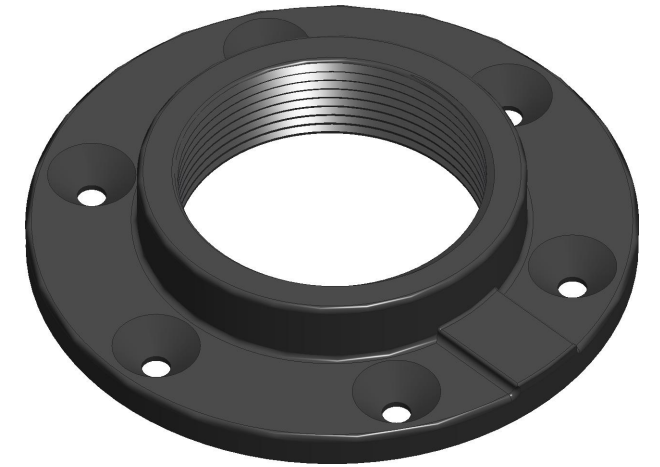


This drawing is the property of Garner Industries. It is issued in confidence on the condition that it is to be returned on request and that it is not to be copied or reproduced in any way, or used in the manufacture of the subject matter thereof without the written consent of Garner Industries.

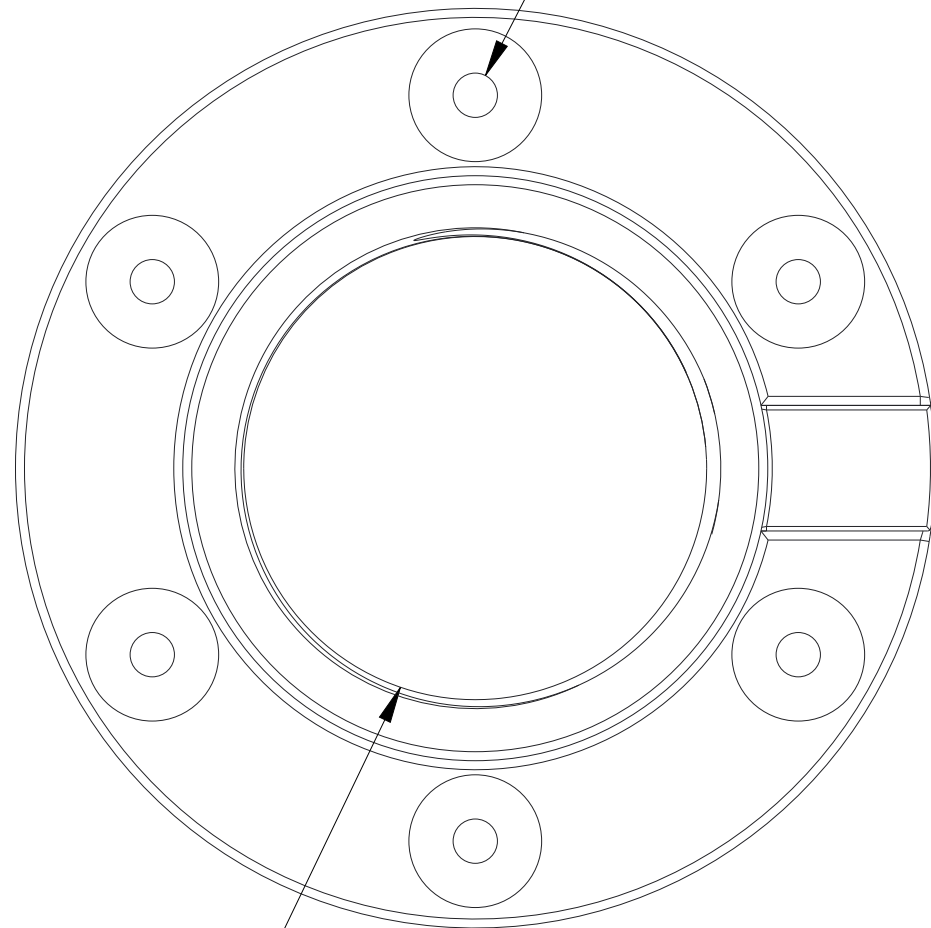
DIMENSIONS ARE IN INCHES UNLESS NOTED OTHERWISE



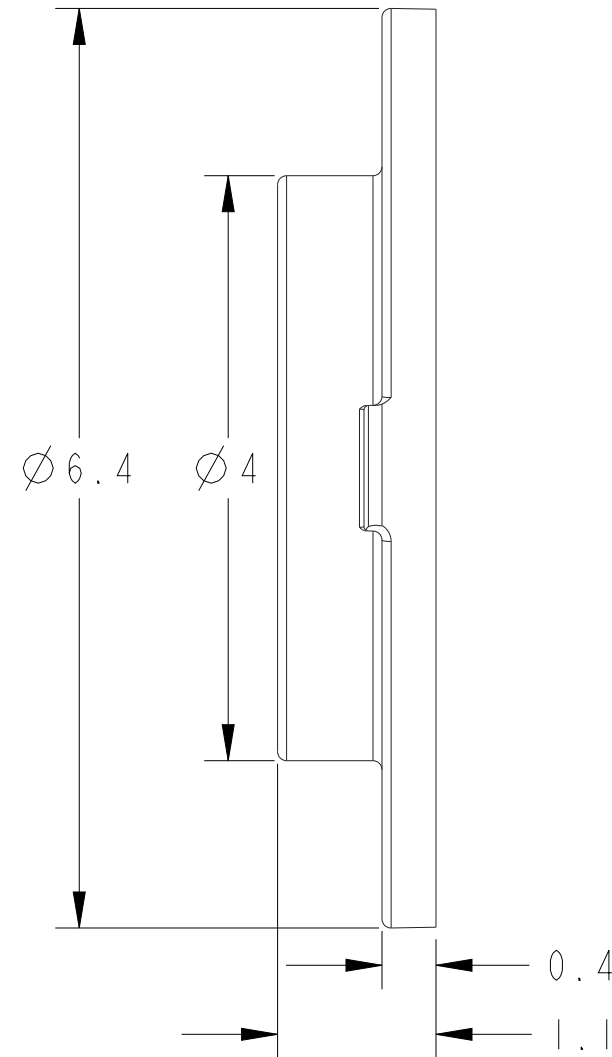
Division of Garner Industries / 7201 North 98th Street / Lincoln, NE 68507  
(402) 434-9102 / fax (402) 434-9144 \ www.binmaster.com



$\varnothing 0.31$  THRU,  $\varnothing 0.63$  X 42 DEG. C'SINK  
(6) HOLES EQUALLY SPACED  
ON A  $\varnothing 5.13$  BOLT CIRCLE



3"-8 NPT THREAD  
FROM THIS SIDE  
 $\varnothing 3.3$  THRU REF.



SCALE 0.750

REVISION  
A

TITLE: MTG DIM, MNT'G FLANGE, SBRX, BB-R11 Model No.: MI P/N: 299-0064 DWG No.: 418-0039 MATERIAL: BLK POWDER COATED STEEL

PAGE  
1 OF 1