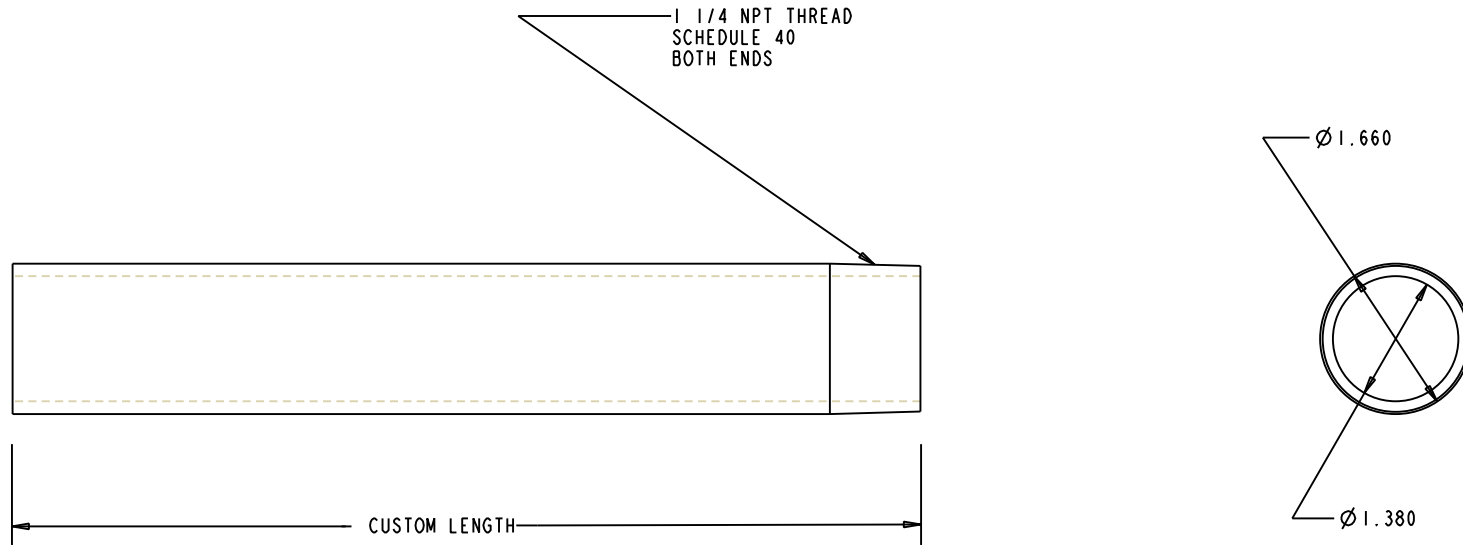


This drawing is the property of Garner Industries. It is issued in confidence on the condition that it is to be returned on request and that it is not to be copied or reproduced in any way, or used in the manufacture of the subject matter thereof without the written consent of Garner Industries.

ITEM	PART No.	DESCRIPTION	QTY.	MATERIAL



NOTES:

- MATERIAL: 304 STAINLESS STEEL OR EQUIVALENT

TOLERANCES ARE NOT ACCUMULATIVE				UNLESS OTHERWISE NOTED REMOVE ALL BURRS AND SHARP EDGES		PARTS MUST BE CLEAN AND FREE OF OIL OR ANY OTHER RESIDUE	
8 PLACE	6 PLACE	4 PLACE	ANGULAR	TITLE: PIPE GUARD, 1 1/4 SCH 40, CUSTOM LENGTH			
± .02	± .005	± .0005	± 1°	DESIGNED	APPROVED	DATE	SHEET 1 OF 1
MATERIAL:				DRAWN	SJS	7-27-12	SIZE: C
FINISH:				CHECKED			REV.
STR.				ENG.			DO NOT SCALE DRAWING
REVISION				7801 North 95th Street Lincoln, NE 68037-6741		DWG. NO. 9991003	
APPR.				DATE			