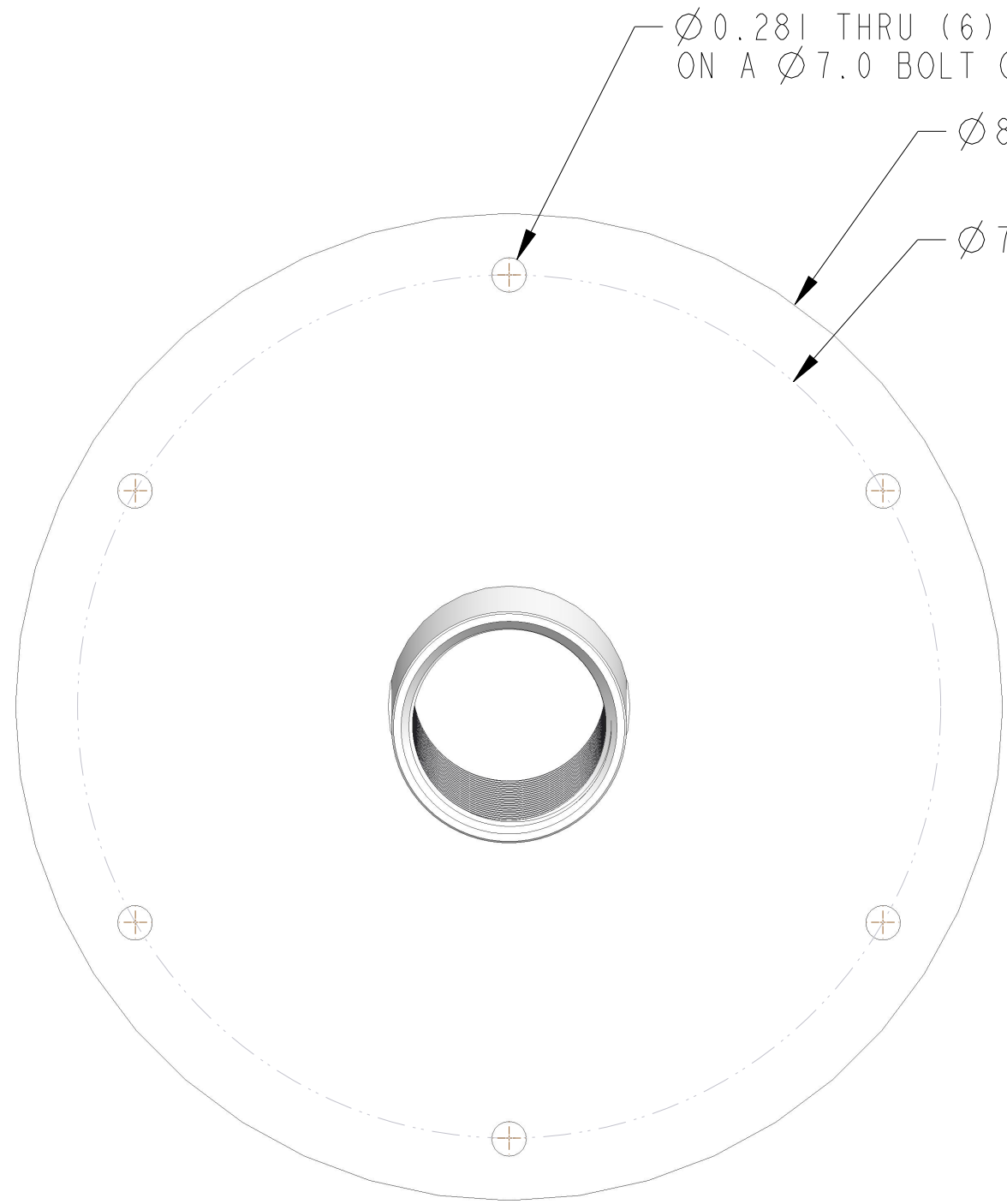


This drawing is the property of Garner Industries. It is issued in confidence on the condition that it is to be returned on request and that it is not to be copied or reproduced in any way, or used in the manufacture of the subject matter thereof without the written consent of Garner Industries.

DIMENSIONS ARE IN INCHES UNLESS NOTED OTHERWISE



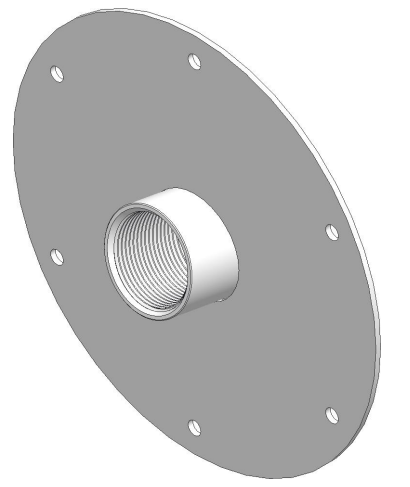
Division of Garner Industries / 7201 North 98th Street / Lincoln, NE 68507
(402) 434-9102 / fax (402) 434-9144 \ www.binmaster.com



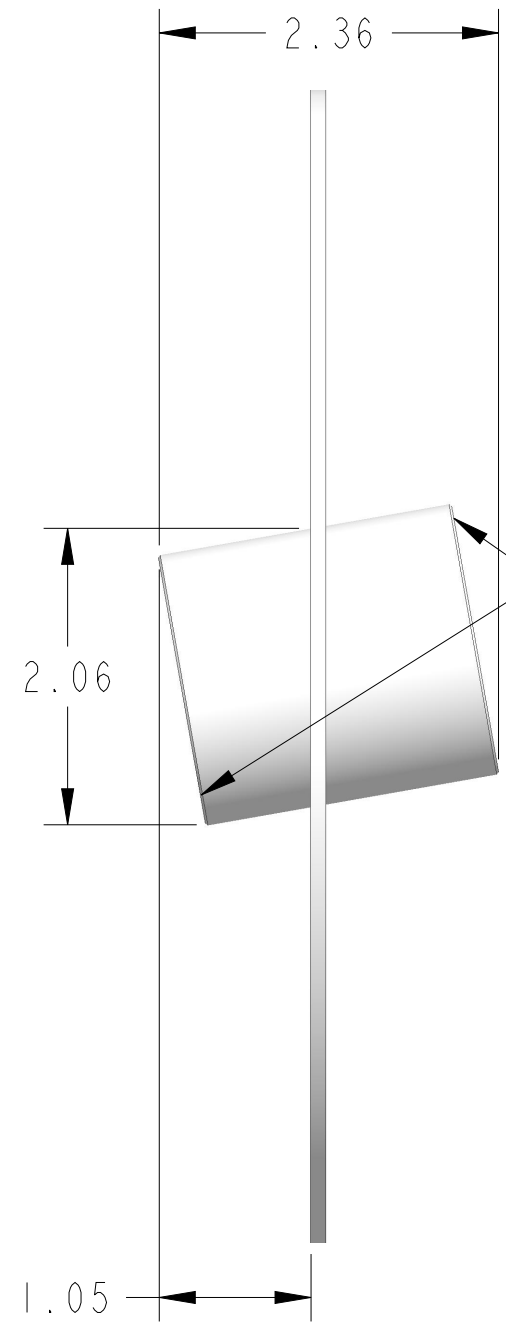
Ø0.281 THRU (6) HOLES EQUALLY SPACED ON A Ø7.0 BOLT CIRCLE

Ø 8.0

Ø 7.0



SCALE 0.333



1-1/4 NPT FULL COUPLER THREADS ON BOTH SIDES

SCALE 0.750

REVISION A

TITLE: MTG DIMS, GRMP-9, 10 DEG.

Model No.: GRMP-9

P/N: 416-0427

DWG No.: 418-0200

MATERIAL: WHITE POWDER COATED STEEL

PAGE 1 OF 1