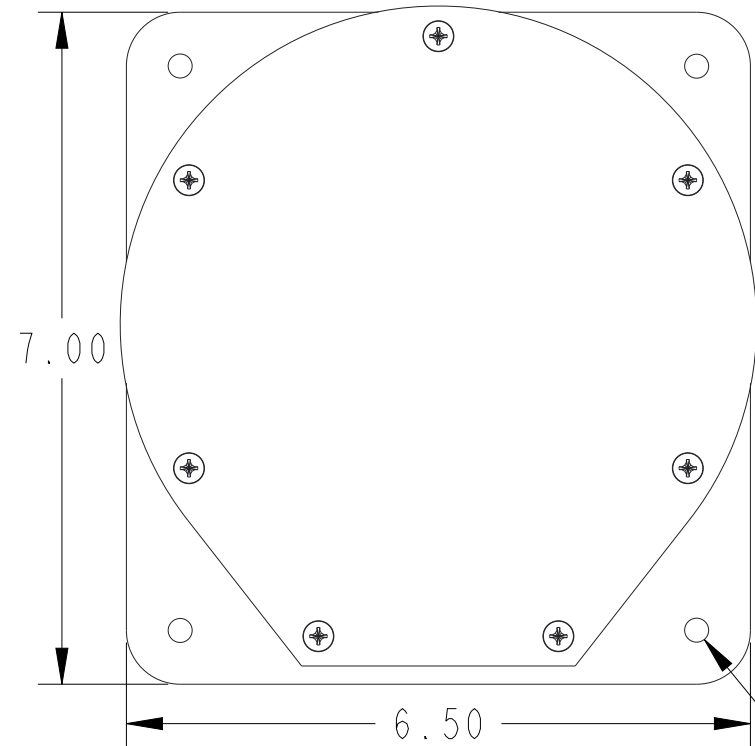


This drawing is the property of Garner Industries. It is issued in confidence on the condition that it is to be returned on request and that it is not to be copied or reproduced in any way, or used in the manufacture of the subject matter thereof without the written consent of Garner Industries.

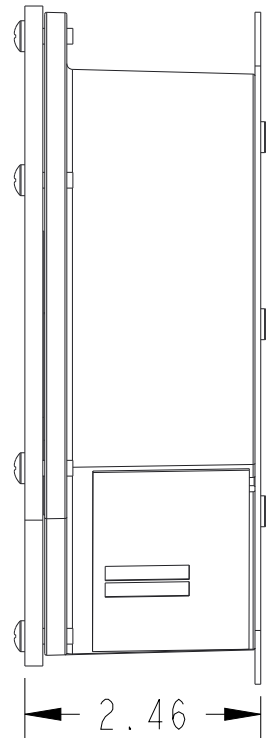
DIMENSIONS ARE IN INCHES UNLESS NOTED OTHERWISE



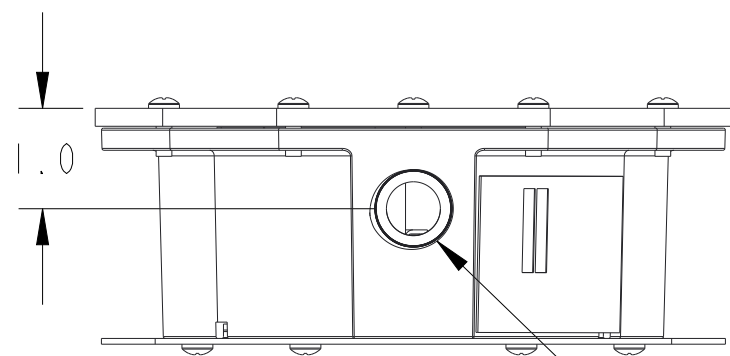
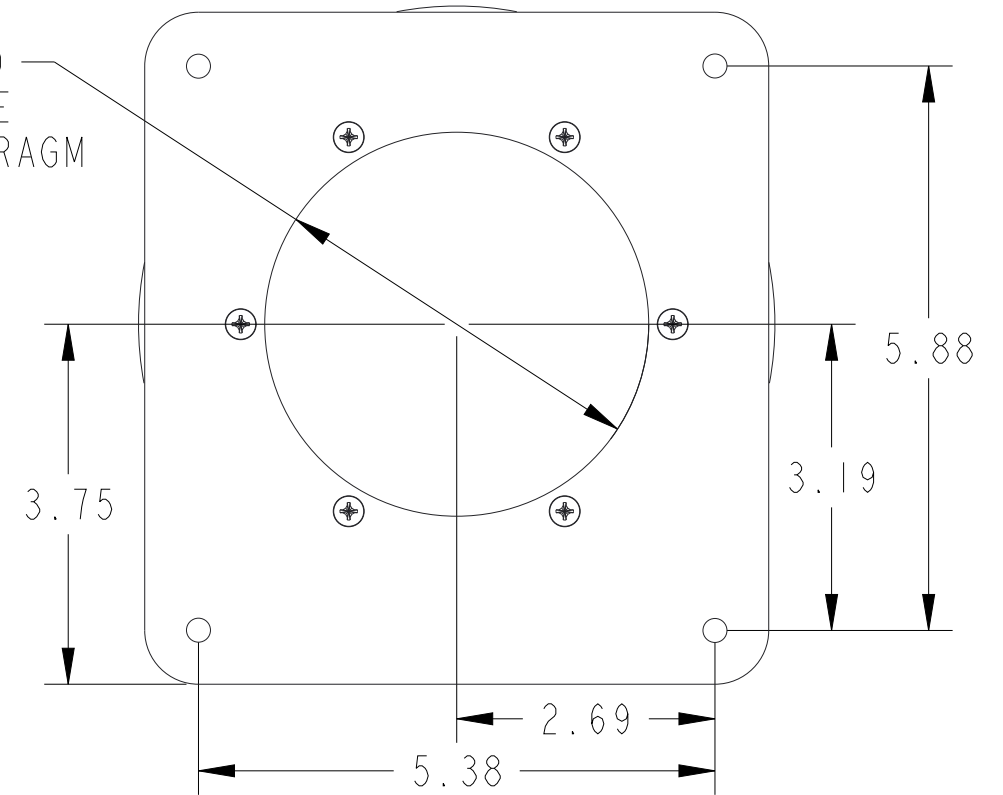
Division of Garner Industries / 7201 North 98th Street / Lincoln, NE 68507
(402) 434-9102 / fax (402) 434-9144 \ www.binmaster.com



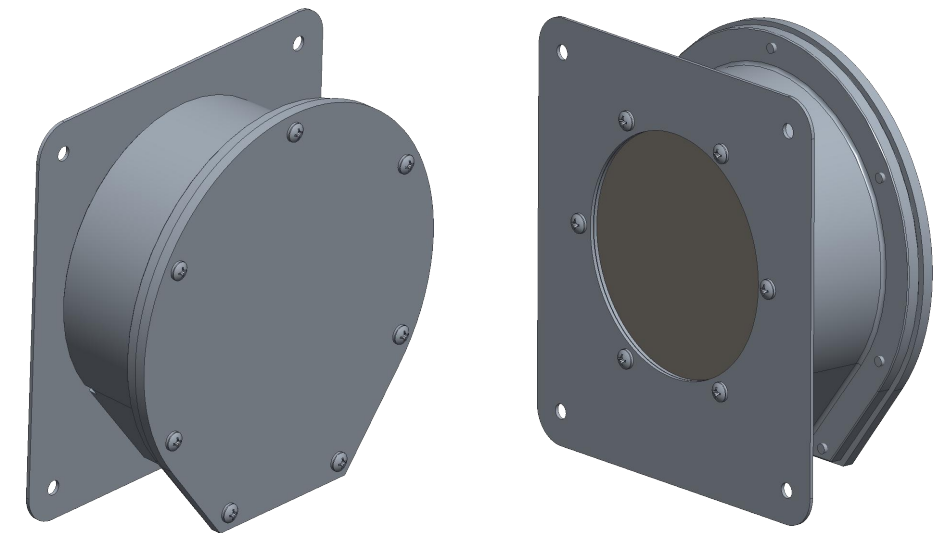
Ø 0.25 THRU
(4 HOLES)



Ø 4.00
ACTIVE
DIAPHRAGM
AREA



1/2-14 NPT CONDUIT THREAD



SCALE 0.500

TITLE: MTG DIM, PRESSURE SENSITIVE INDICATOR, BM 65F SERIES

Model No.: BM 65 FHPC	P/N: 730-0676
Model No.: BM 65 FHS	P/N: 730-0473
Model No.: BM 65 FHT	P/N: 730-0098
Model No.: BM 65 FH	P/N: 730-0254
Model No.: BM 65 F	P/N: 730-0096

DWG No.: 418-0019

REVISION
A

PAGE
1 OF 1