



LTR-100 Operator's Manual



BinMaster: Division of Garner Industries
7201 N. 98th St., Lincoln, NE 68507
402-434-9102 • email: info@binmaster.com
www.binmaster.com

**INSTALLATION AND OPERATING INSTRUCTIONS
PLEASE READ CAREFULLY**

TABLE OF CONTENTS

1	Introduction.....	3
2	Control and Indicators.....	6
3	Specifications	7

1 Introduction

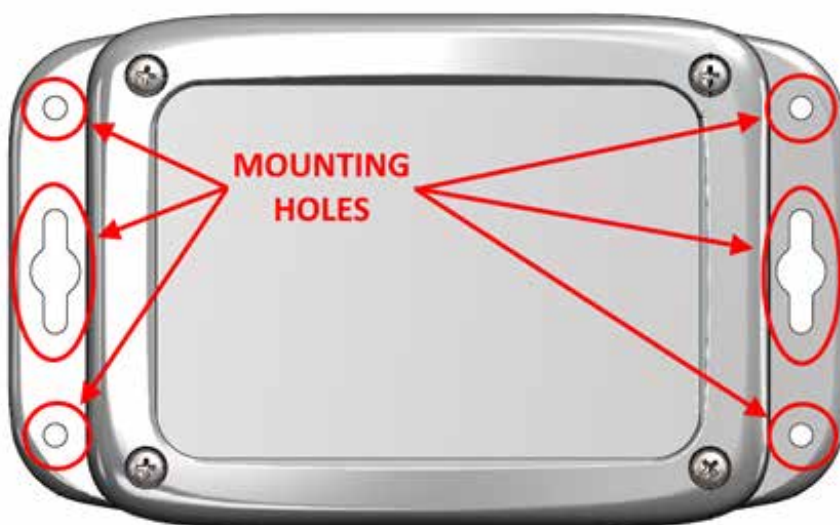
The LTR-100 is used to collect readings from BinMaster sensors and wirelessly transmit the results to a BinCloud gateway for delivery to the BinCloud inventory website. It has two 4-20 mA inputs for collecting results from analog-out sensors and an RS-485 port for collecting results from serial-based sensors.

It can be powered from AC line voltage or an external 24 VDC supply and provide 24 VDC power to a few sensors.

Mounting

When mounting the LTR-100, choose a location that is not in direct sunlight but in line-of-sight with the BinCloud gateway. Also, avoid mounting directly to metal walls and under metal eaves.

There are six mounting holes available on the exterior of the enclosure, as shown in the figure below.



Wiring and Connections

All wiring should be fed through the water-tight cordgrips and connected inside the lower wiring cabinet to the terminal blocks as per the wiring diagrams.

All terminal blocks can support 30 to 12 AWG wire sizes. Be sure to use the appropriate wire gauge/size for the connections and follow all national and local codes concerning this installation.

There are two options for powering the LTR-100. Only use one. Attempting to use both, at the same time, may result in permanent damage to the transceiver.

85-250 VAC

These input terminals are used when powering the transceiver with an external AC power source. Connect the L terminal to the AC line, the N terminal to the AC neutral and the E terminal to earth.

The earth connection is only used to provide overvoltage/surge protection to the RS-485 port. If you are not using the RS-485 port, you do not need to connect an earth.

24 VDC Input

These input terminals are used when powering the transceiver with an external 24 VDC power source.

If you are using the RS-485 port, it is also recommended to connect the E terminal to earth. This will provide overvoltage/surge protection to the RS-485 port.

24 VDC Out 1 and 2

These output terminals are used to provide an external 24 VDC power source. They can be used to provide power in a 3-wire analog configuration or to directly power a few serial-based sensors. See wiring diagrams for more details.

Loop In 1 and 2

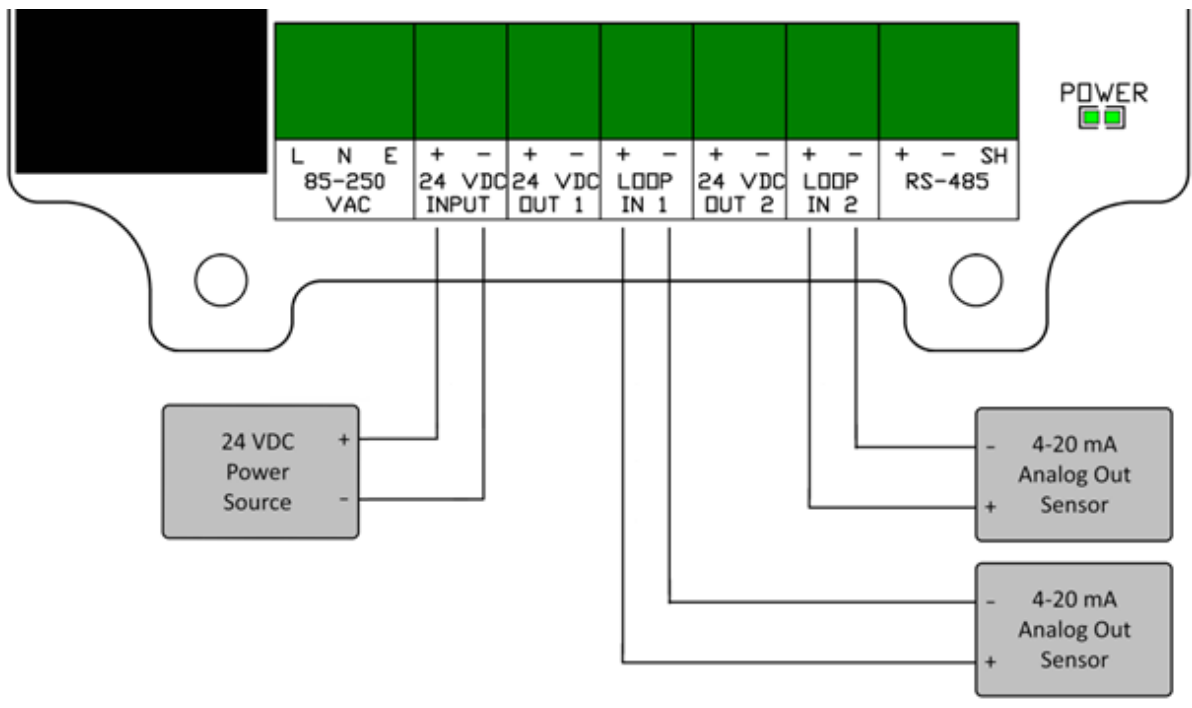
These input terminals are used to connect to two 4-20 mA analog sensors. See wiring diagrams for details.

RS-485

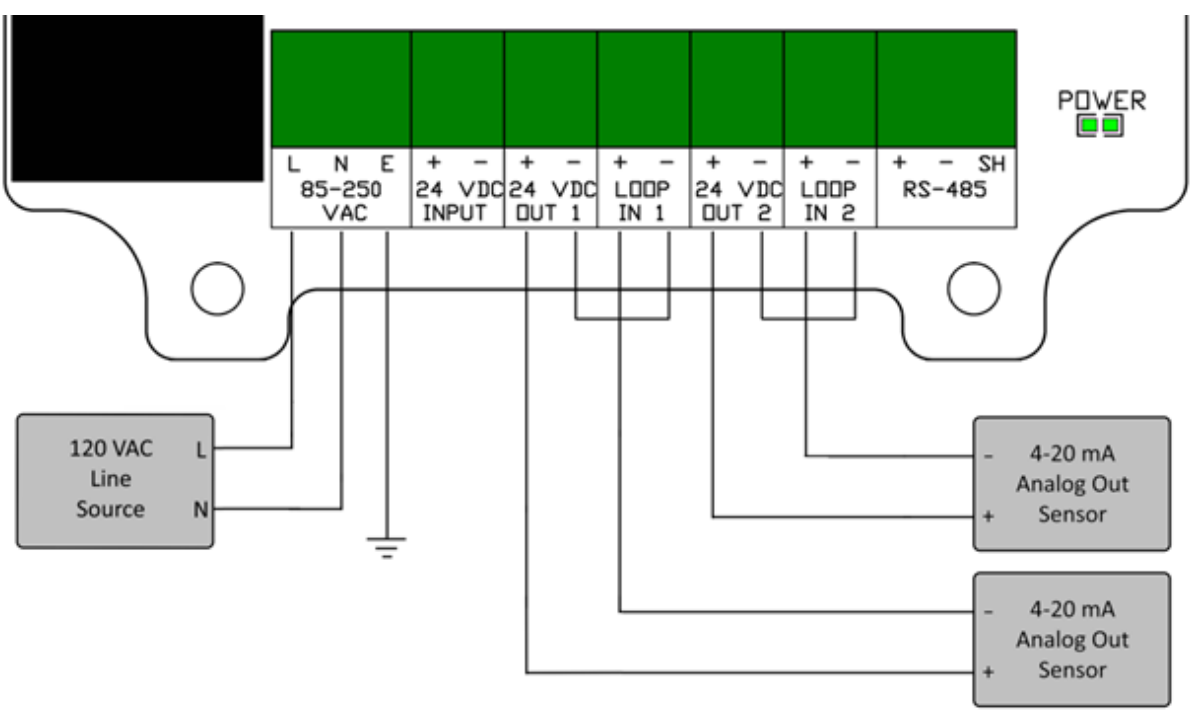
These terminals are used to provide a connection to an RS-485 network. Two terminals marked + and – should be connected to the positive and negative wires of the sensor network cable. The third terminal, marked SH, should be connected to the shield of the sensor network cable.

Wiring Diagrams

Below is an example of the transceiver powered with an external 24 VDC power source and connected, in a 2-wire configuration, to two analog-out sensors. The sensors obtain their power from a separate source.



Below is an example of the transceiver powered with 120 VAC line and connected, in a 3-wire configuration, to two analog-out sensors. The sensors obtain their power from the loop.



2 Controls and Indicators

There are three push buttons located inside the transceiver on the circuit board. These are normally not needed and should only be used when instructed by BinMaster tech services.

- User – This button is currently undefined.
- Reset – This button is used to reset or restart the transceiver.
- Boot – This button is used to perform firmware updates to the transceiver.

There are three DIP switches located inside the transceiver on the circuit board. These are used to bias and/or terminate the sensor network connected to the RS-485 terminals.

- Bias Resistors – Slide both the upper and lower DIP switches to the right to enable biasing for the network. Slide both to the left to disable biasing.
- Network Termination – Slide the center DIP switch to the right to enable the network termination. Slide it to the left to disable the network termination.

There are four LED indicators located inside the transceiver on the circuit board and visible through the clear cover.

- Power – This green LED will be on when the transceiver has power.
- Status – This red LED is currently undefined.
- Rx – This yellow LED will blink when there is activity on the RS-485 sensor network.
- Tx – This yellow LED will blink when the transceiver is sending data over the RS-485 sensor network.

3 Specifications

AC Line Voltage	80 to 305 VAC 50/60 Hz
AC Line Current	250 mA maximum
24 VDC Input Voltage	21.6 to 26.4 VDC
24 VDC Input Current	320 mA maximum
24 VDC Output Current	110 mA maximum each port
Storage Temperature	-40 to 185 °F (-40 to 85 °C)
Operating Temperature (no load on 24 VDC outputs)	-40 to 167 °F (-40 to 75 °C)
Operating Temperature (max load on 24 VDC outputs)	-40 to 140 °F (-40 to 60 °C)
Dimensions (not including the antenna or antenna mount)	6.75 x 4.13 x 2.44 in (171 x 105 x 62 mm)
Enclosure	Light gray polycarbonate
Ingress Protection Rating	NEMA Type 4x