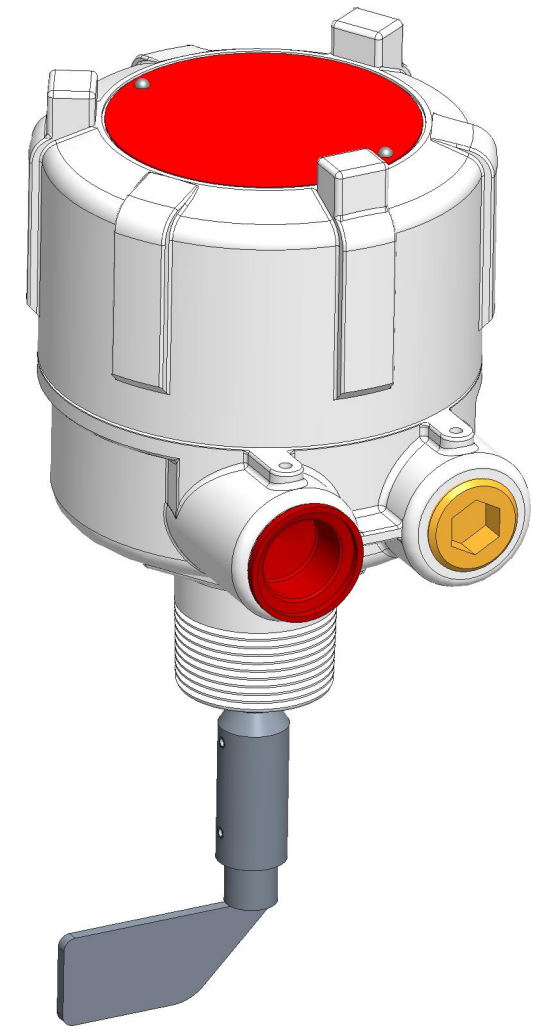
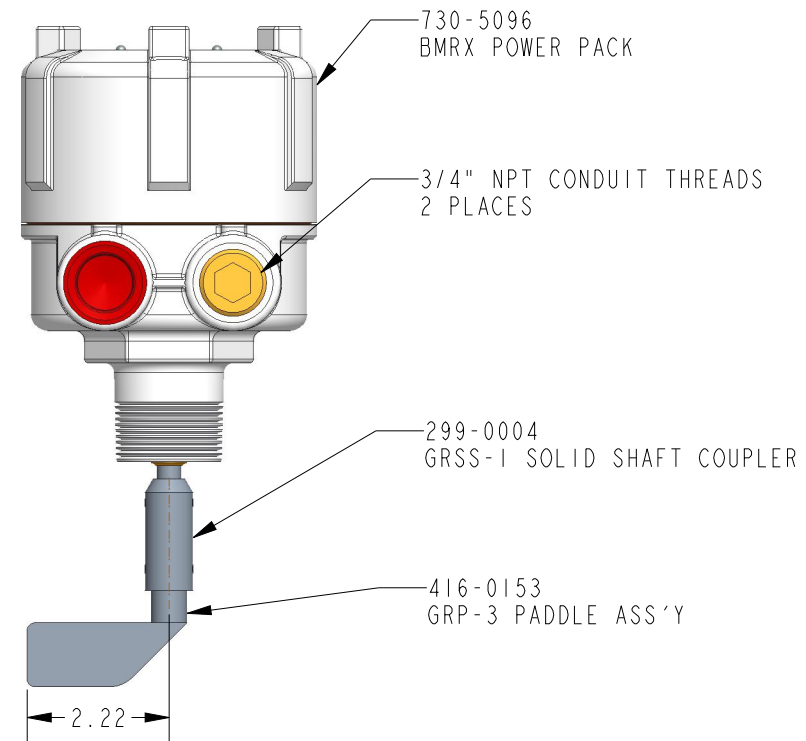
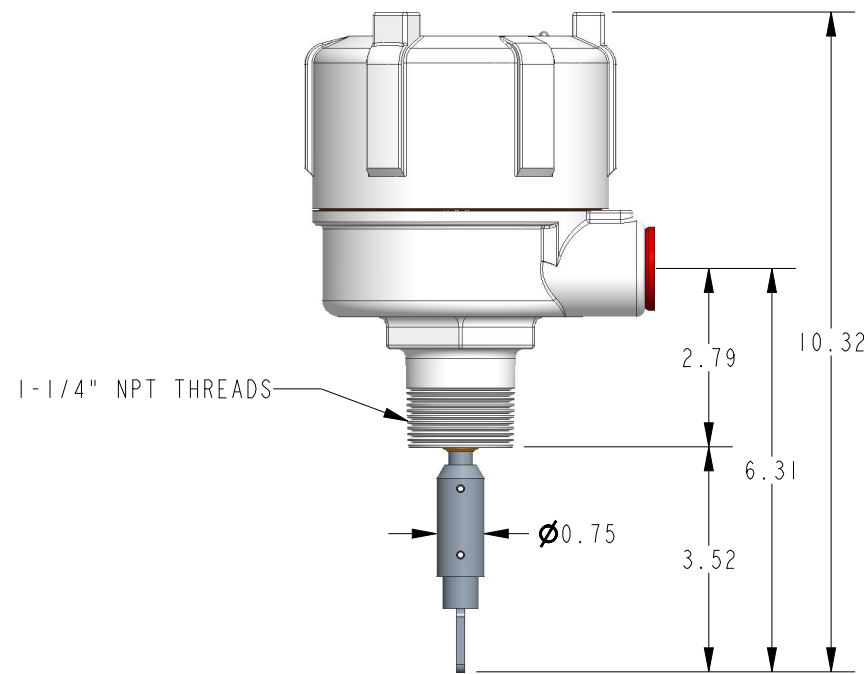
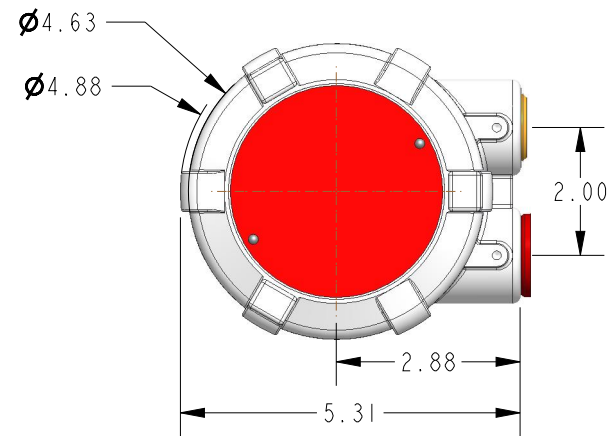


This drawing is the property of Garner Industries. It is issued in confidence on the condition that it is to be returned on request and that it is not to be copied or reproduced in any way, or used in the manufacture of the subject matter thereof without the written consent of Garner Industries.

DIMENSIONS ARE IN INCHES UNLESS NOTED OTHERWISE



Division of Garner Industries / 7201 North 98th Street / Lincoln, NE 68507  
(402) 434-9102 / fax (402) 434-9144 \ www.binmaster.com



SCALE 0.500

SCALE 0.333

TITLE: MTG DIM, BMRX W/ GRSSI & GRP-3 PADDLE

Model No.:	BMRX 24 DC	P/N:	730-5166
Model No.:	BMRX 24 AC	P/N:	730-5098
Model No.:	BMRX 230 VAC	P/N:	730-5097
Model No.:	BMRX 115 VAC	P/N:	730-5096

DWG No.: 418-0264

REVISION

PAGE 1 OF 1