

IRU-5000 Self-Contained Ultrasonic Level Sensor



Liquid Level Sensor

The IRU-5000 series provides a non-contact method of detecting level, presence/absence, volume, proximity and distance. With built-in technology to compensate for unpredictable variables such as humidity, temperature and agitators, the IRU-5000, is an ideal sensor for many applications.

Features

- AutoSense software for hassle-free setup
- Internal temperature compensation
- Operating range from 4 to 79 inches
- Ideal for small tanks

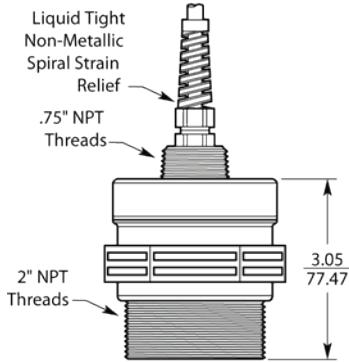
BINMASTER

7201 N. 98th St. | Lincoln, NE 68507
800.278.4241 | 402.434.9102
Fax: 402.434.9133
www.binmaster.com | info@binmaster.com

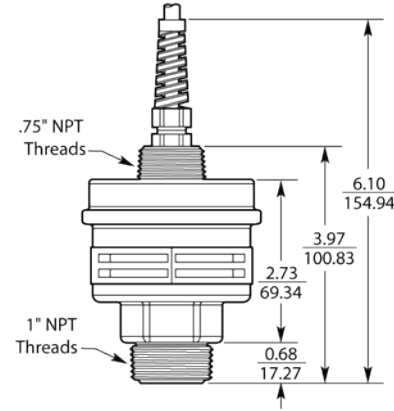


IRU-5000 Specifications

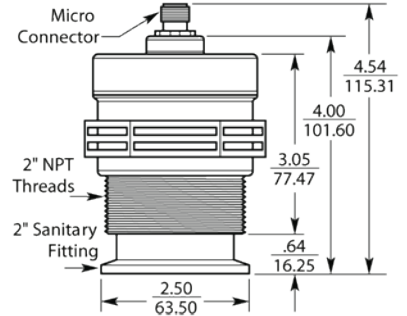
IRU-5420



IRU-5410



IRU-5320



Performance

- Operating Range
4 - 79 in. (102 - 2007 mm)
- Beam Pattern: 9° off axis
- Internal Temperature Compensation
- Frequency: 143 kHz
- Accuracy: ±0.25% of detected range
- Resolution: 0.1 in. (2.5 mm)
- Response Time: Programmable (20 ms minimum)

Connectivity

- Output:
- 4-20 mA
 - 4-20 mA with (2) NPN outputs
 - 0-2.5 V/0-5 V

Environmental

- Ratings: IP65
- Operating Temp: -40° - 140°F (-40° - 60°C)

Certification

- Class 1, Div. 2, Groups C, D, T6; Ex nA IIB T6
 - Class 1, Zone 2, Aex nA IIB, T6
 - IP65
- (*Models IRU-5413, -5415, -5423 & -5425 only)

Electrical

- Total Current Draw: 75 mA @ 24 VDC
- Supply Voltage: 12-28 VDC
- Wiring Connection: 4 or 5 conductor shielded cable

Programming

- Interface with RST-3001 Programmer (purchase separately - powered by USB)
 - The RST-3001 is 32 bit only
 - The RST-3002 is 32 and 64 bit compatible
- User selected units of measure

Physical

- PC/PET upper housing
- PC/PET Blend Transducer